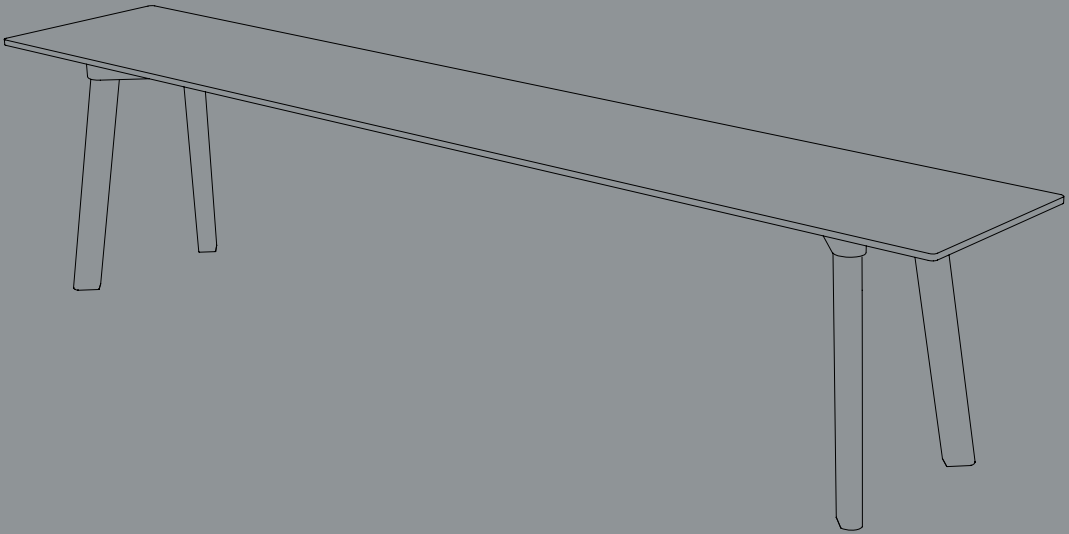


- INSTRUCTION MANUAL -

COPENHAGUE DEUX CPH 215

L75 / 140 / 200 X W35 X H45 CM



DESIGN BY RONAN & ERWAN BOUROULLEC

HAY

Copenhagen Deux is a range of tables and benches for compact spaces. The collection offers dining tables, coffee tables and benches in different sizes. The tabletop surface is made from a new laminate based on Nanotechnology providing an extremely matt surface with a soft touch that is anti-fingerprint and easily cleaned.

CAUTION

With a little care you can prolong the life of your furniture. Follow the instructions for the materials of your specific product to make sure that it stays in the best shape for as long as possible.

The information below is only intended as a general guideline. For more information on how to remove specific stains, please enquire where you bought the furniture.

- / Always remove stains quickly before they can do any permanent damage to the furniture.
- / Avoid placing the table in direct sunlight or near a heat source to reduce changes. As wood is a natural material, it will change in colour and will patinate over time.
- / When you move your furniture, make sure you lift it rather than pulling or pushing it to avoid damaging the floor, legs and mountings.
- / Tighten up the screws after one to two months' use and whenever required.
- / Avoid improper use such as putting your feet on the table or standing on it.
- / Use coasters under damp, hot or coloured objects to avoid permanent stains.

- / Avoid partially covering the surface, for example with tablecloths, or place mats, as colour variances may appear.
- / Be careful not to scratch or damage the surface with sharp objects.

LACQUERED OR PAINTED WOOD

- / Wipe with a clean cloth wrung in water or in a solution of water and a neutral detergent. Remove soap residue immediately using a clean, dry cloth.
- / If the surface is scratched or appears matt, use a care product especially suited to lacquered or stained wood.
- / Avoid using detergents containing silicone, as they seal the stain in and make subsequent repairs more difficult.
- / Never use soft soap or solvents such as spirit, turpentine or acetone. Do not use cleaning products containing alcohol, as they may damage the surface.
- / Avoid using scouring cream or scouring pads, as they may scratch the surface.

UNTREATED WOOD

- / Wipe with a clean cloth wrung in water or in a solution of water and a neutral detergent or soap flakes. Remove soap residue immediately using a clean, dry cloth.

- / To remove stains, clean and scrub using a thick solution of soap flakes that should not stay on the wood for more than two minutes. Then remove the remaining soap residue using a damp cloth.
- / If the grain of the wood rises after cleaning, gently sand down the wood using fine-grit sandpaper (No. 220), always going with the grain.
- / If the surface is scratched or appears matt, use a care product especially suited to soaped wood.
- / Never use soft soap or solvents such as spirit, turpentine or acetone. Do not use cleaning products containing alcohol, as they may damage the surface.

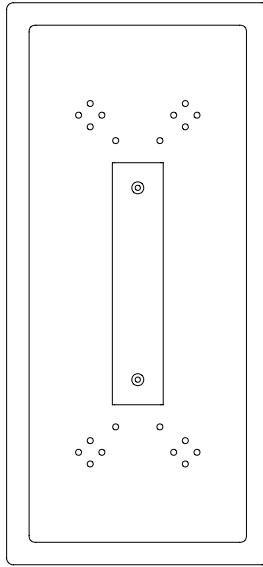
LAMINATE

- / Wipe with a clean cloth wrung in water or in a solution of water and a neutral detergent. Remove soap residue immediately using a clean, dry cloth.
- / Stains may be carefully removed using household ammonia or with a clean, damp cloth or a nano sponge wrung in warm water. Never use the nano sponge dry. Follow up immediately with a clean, dry cloth.
- / Avoid using scouring cream or scouring pads, as they may scratch the surface.

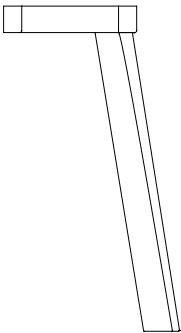
L75 X W35 X H45 CM



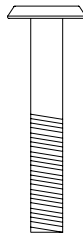
- PARTS -



A x 1



B x 4



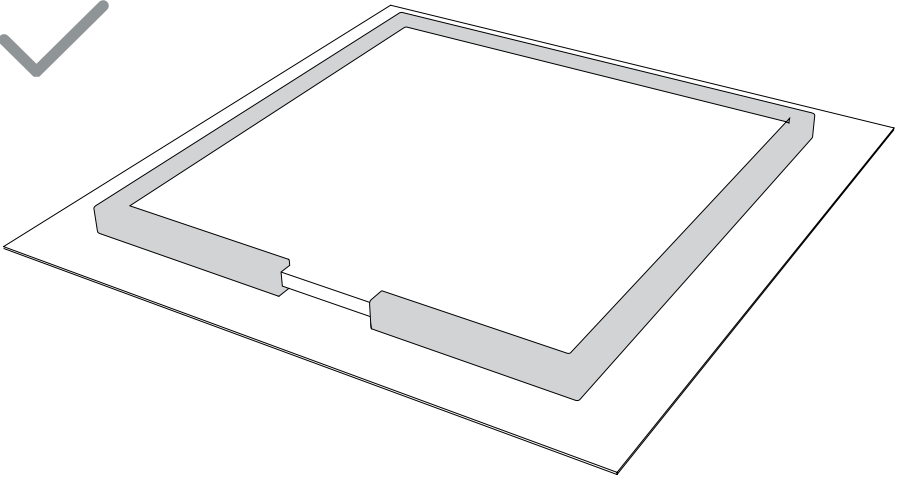
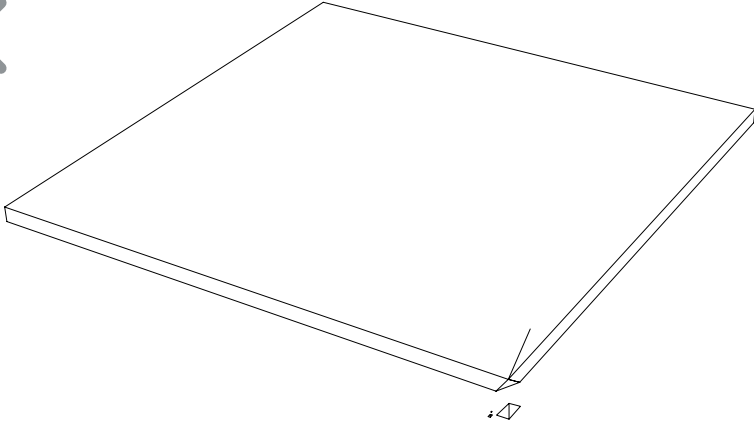
C x 20



Allen key

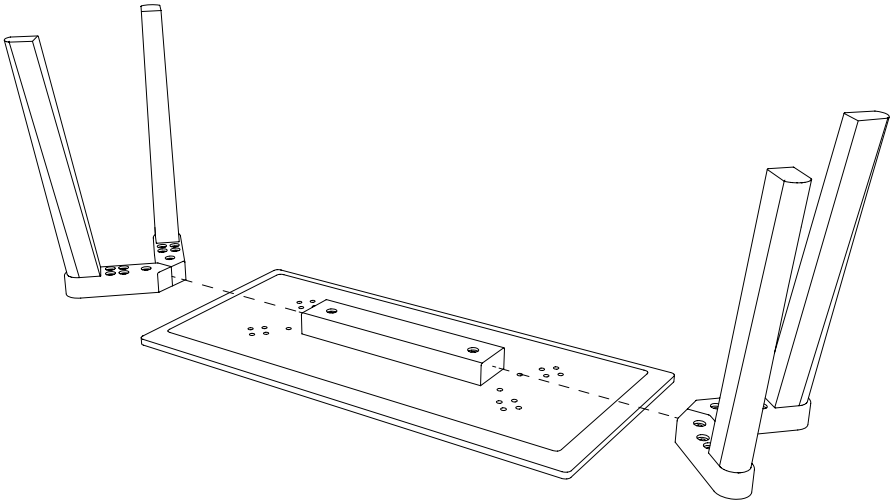
1.

While assembling, keep the bench inside the cardboard box with foam edge in order to protect the benchtop from scratches etc. Make sure that all parts are included.



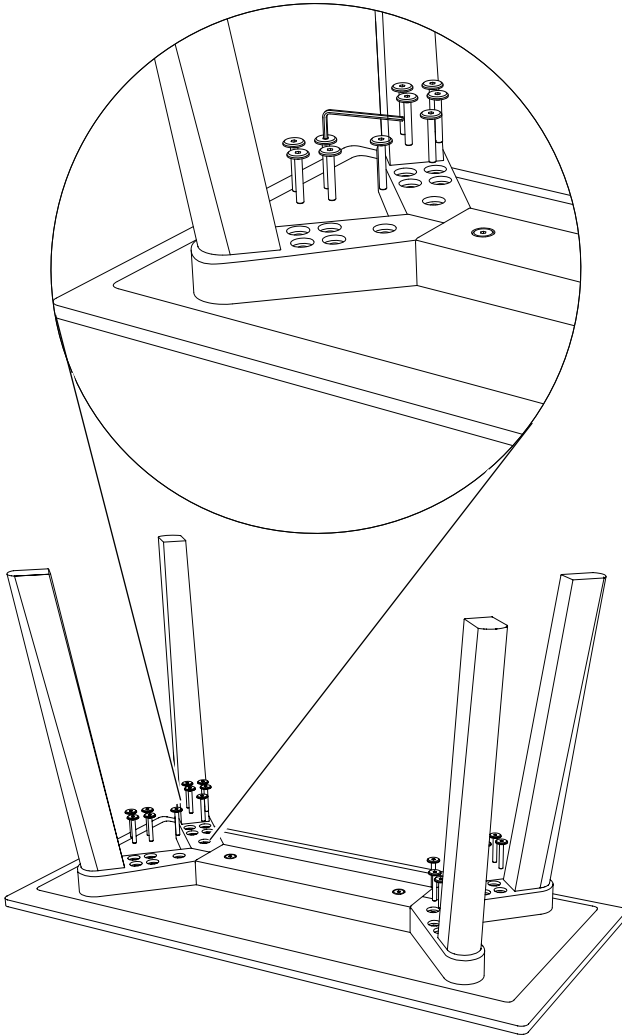
2.

Place the **B** parts on the reverse side of **A** and align them with the holes.



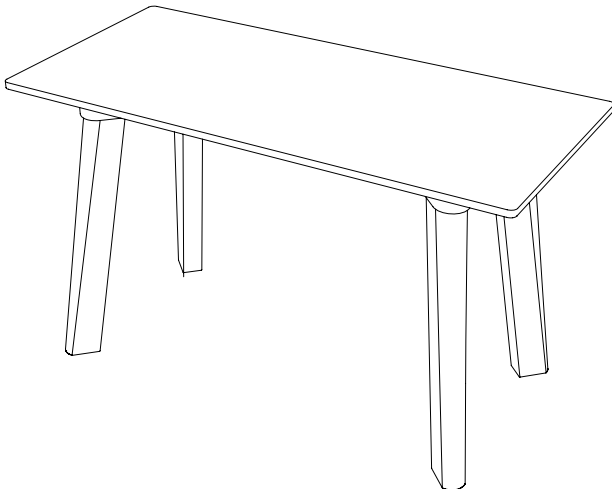
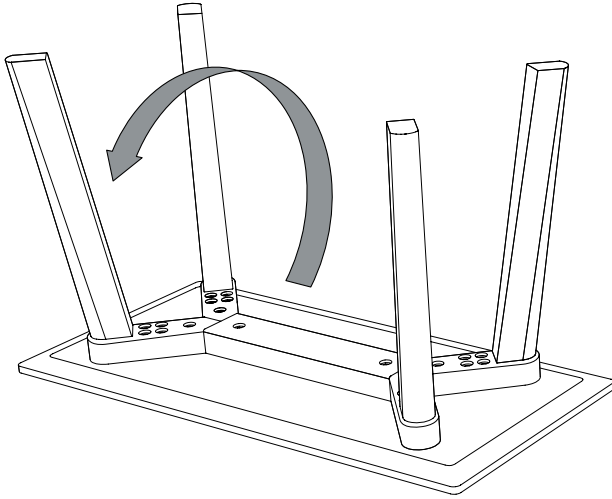
3.

Insert the **C** parts into the holes and gently tighten them.
Use the allen key to tighten the **C** parts completely.



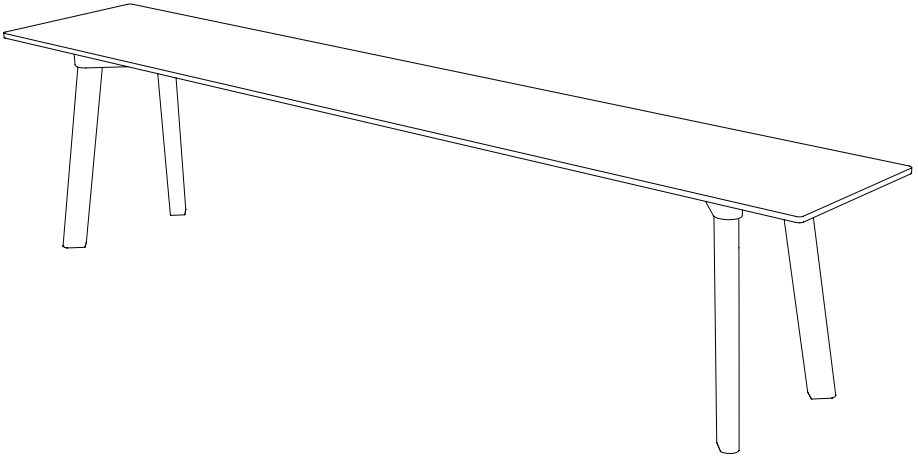
4.

Turn the bench over.

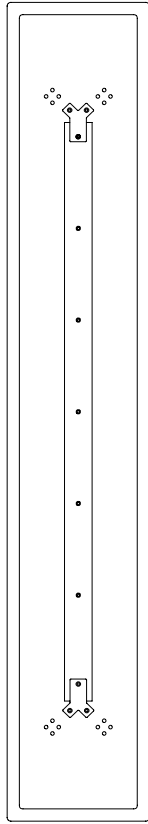


- INSTRUCTION MANUAL -

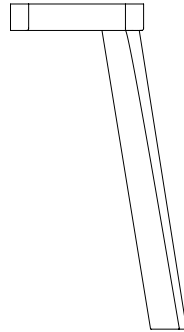
L140 / 200 X W35 X H45 CM



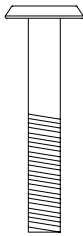
- PARTS -



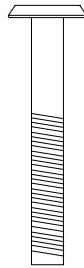
A x 1



B x 4



C x 16



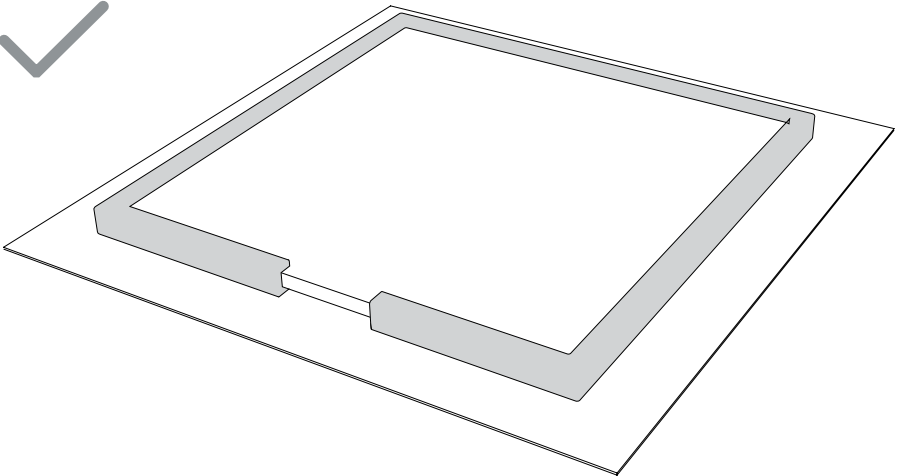
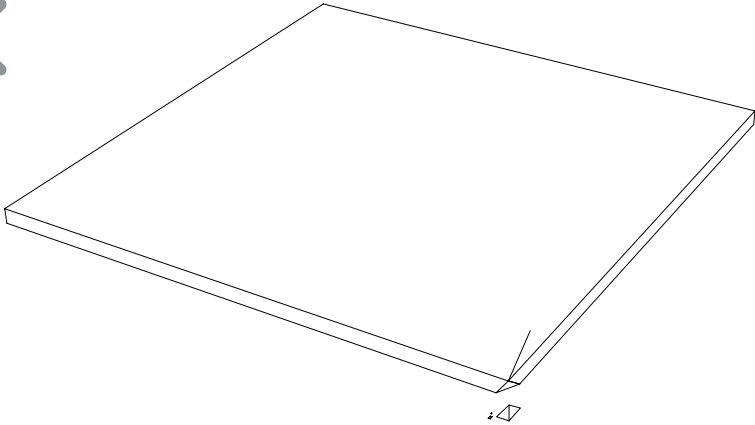
D x 4



Allen key

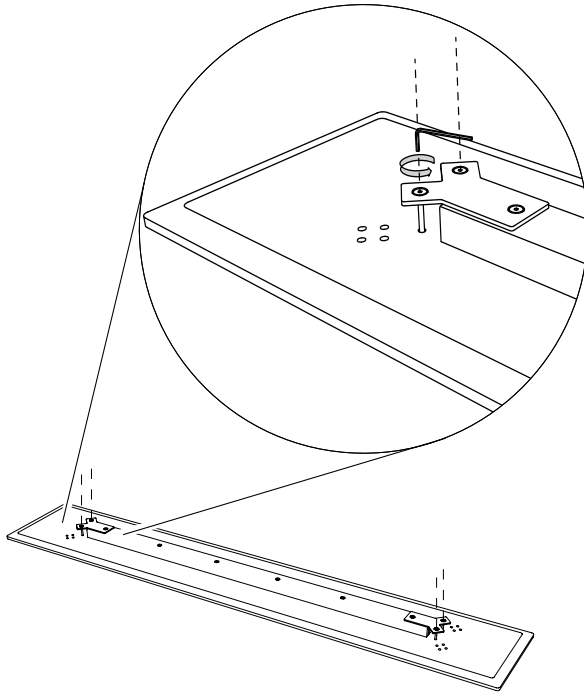
1.

While assembling, keep the bench inside the cardboard box with foam edge in order to protect the benchtop from scratches etc. Make sure that all parts are included.



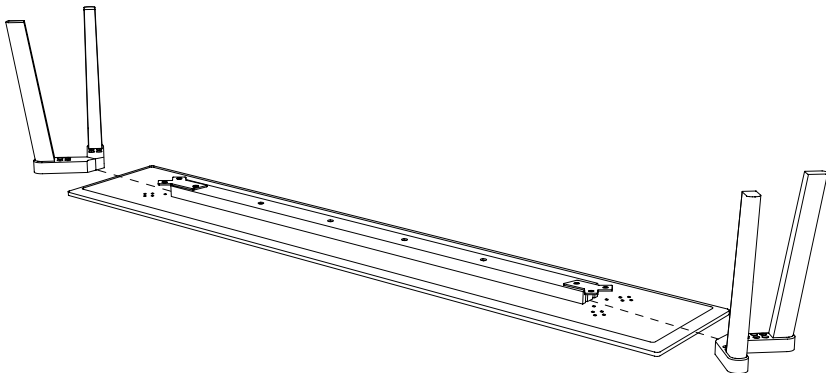
2.

Unscrew the 4 premounted **D** parts.



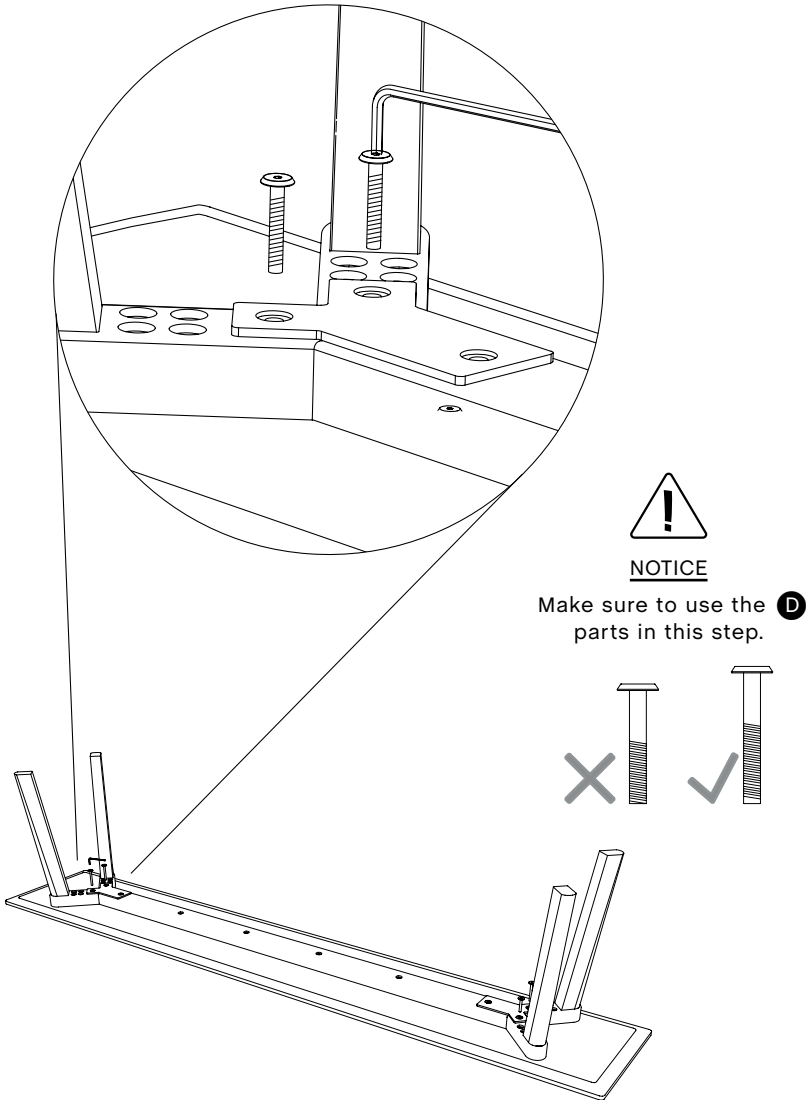
3.

Place the **B** parts on the reverse side of **A** and align them with the holes.



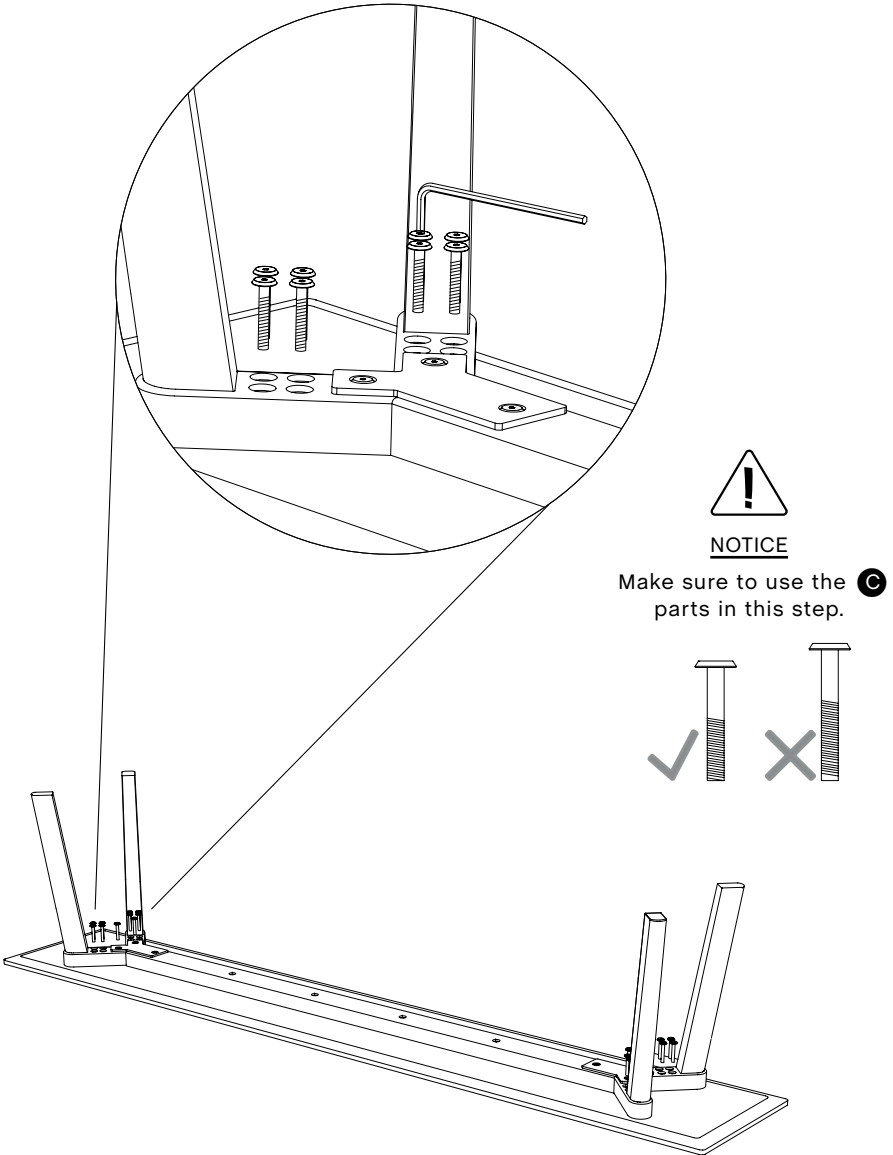
4.

Place the **D** parts again and gently tighten them.



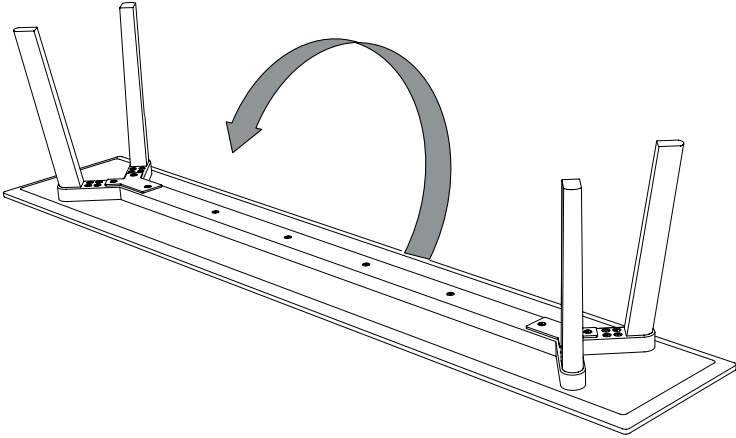
5.

Place the **C** parts and tighten gently. Use the Allen key to tighten both **C** and **D** parts completely.

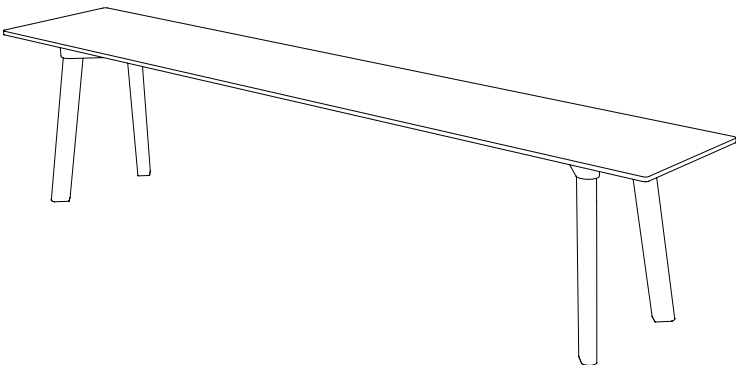


6.

Turn the bench over.



7.



Havnen 1 8700 Horsens Denmark
+45 4282 0282 / hay@hay.com

24/11/2020

HAY